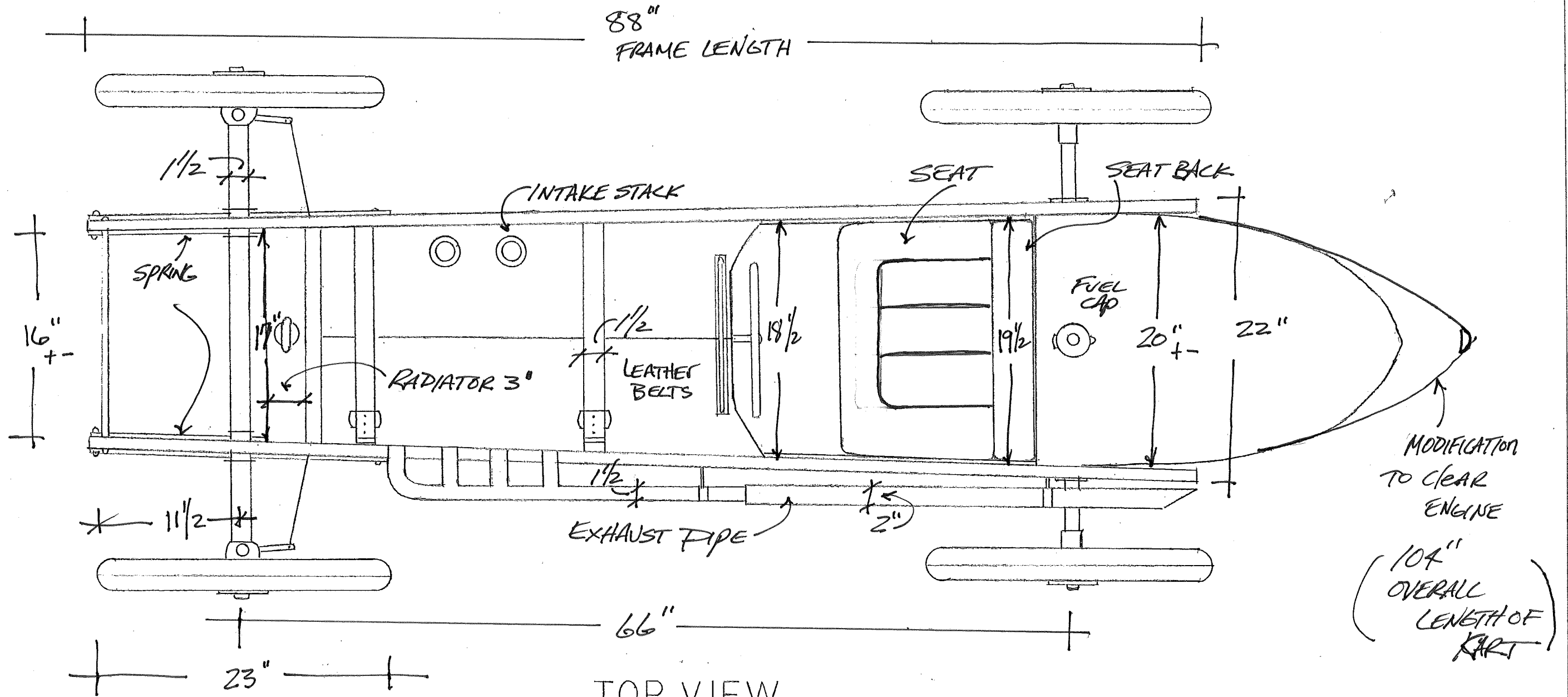


2012 CYCLEKART PATTERNED AFTER
 1926 FORD MODEL T SPRINT
 SCALE $1\frac{1}{2}'' = 1'$



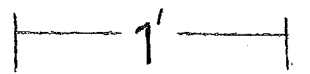
DT
 2/12

1926 FORD MODEL T SPRINT CYCLEKART



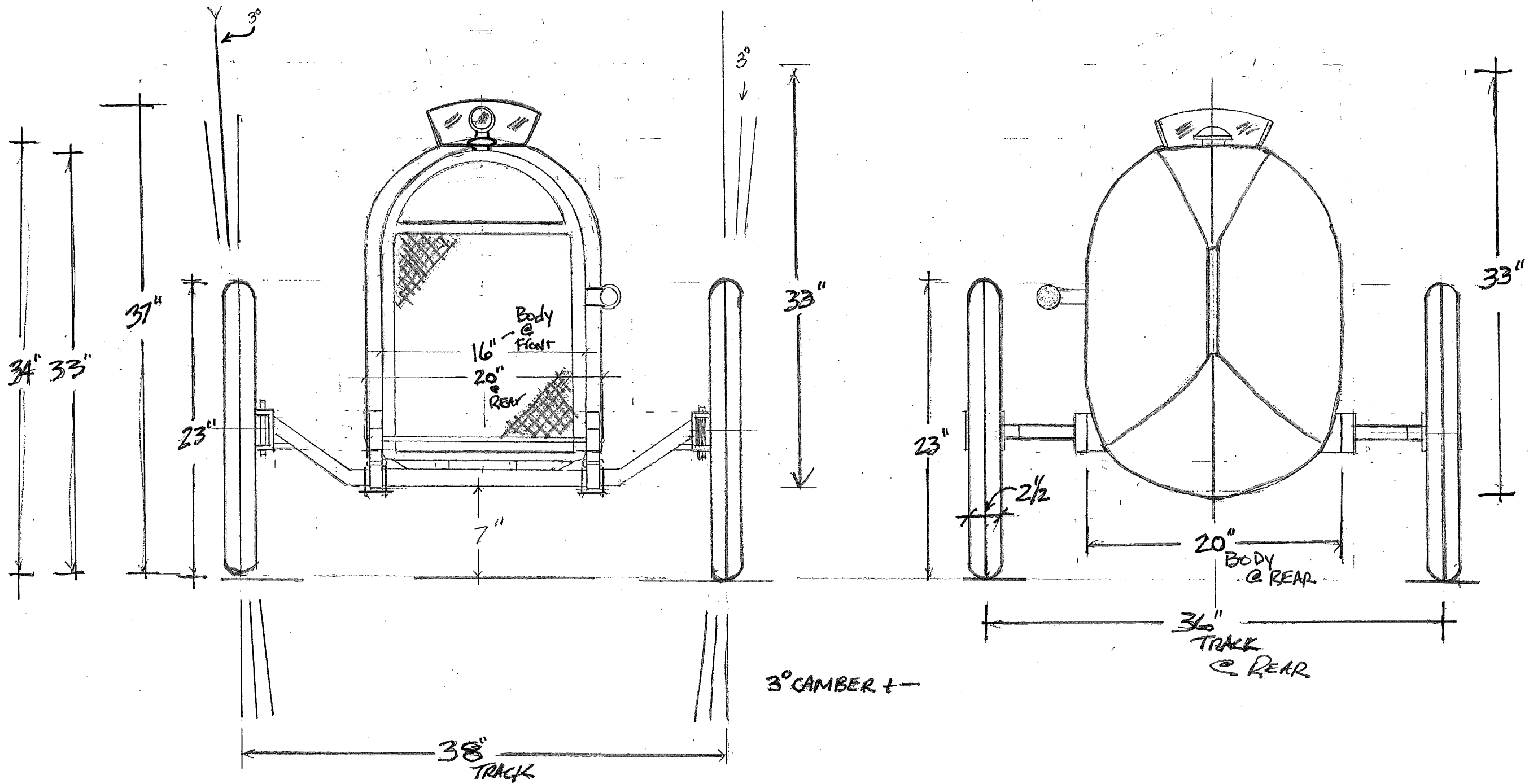
TOP VIEW

SCALE 1 1/2" = 1'



BT
2/12

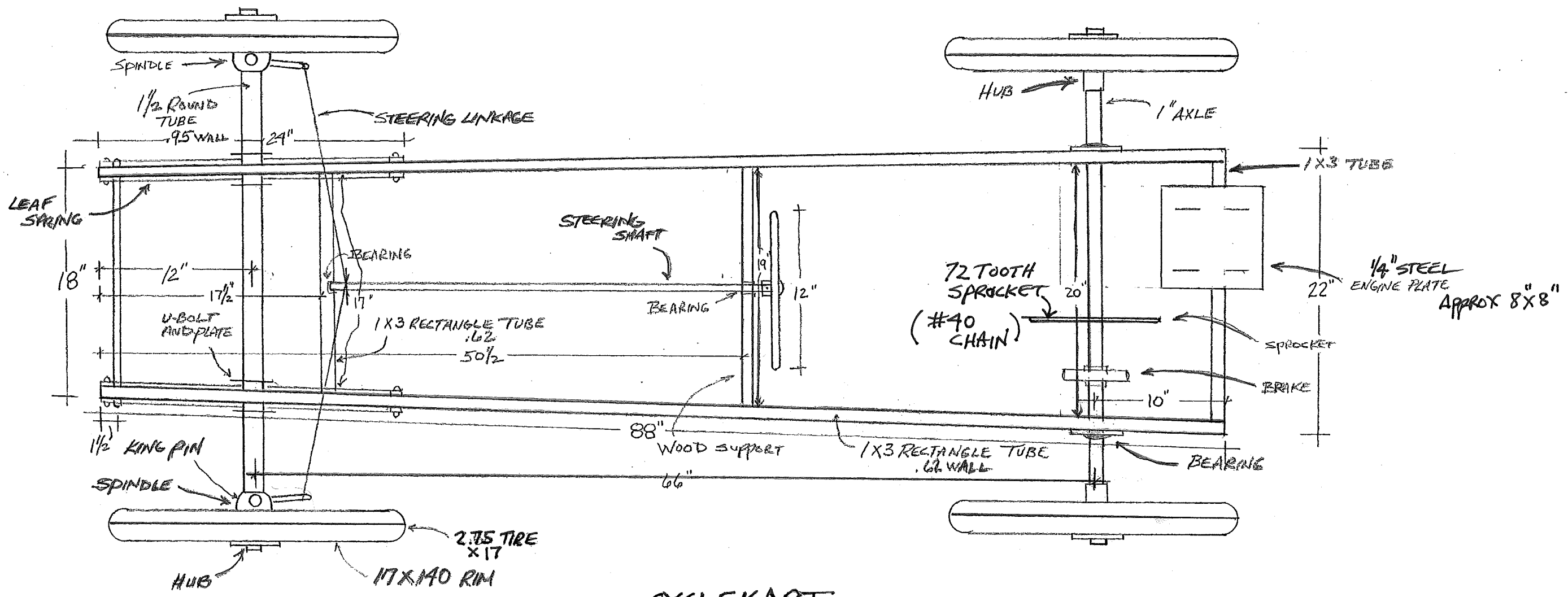
1926 FORD MODEL T SPRINT - CYCLEKART



FRONT VIEW
SCALE 1 1/2" = 1'

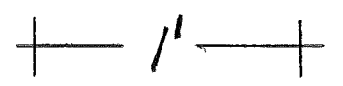
REAR VIEW
SCALE 1 1/2" = 1'

DT 2/12



CYCLEKART
FRAME DETAILS

SCALE 1 1/2" = 1'

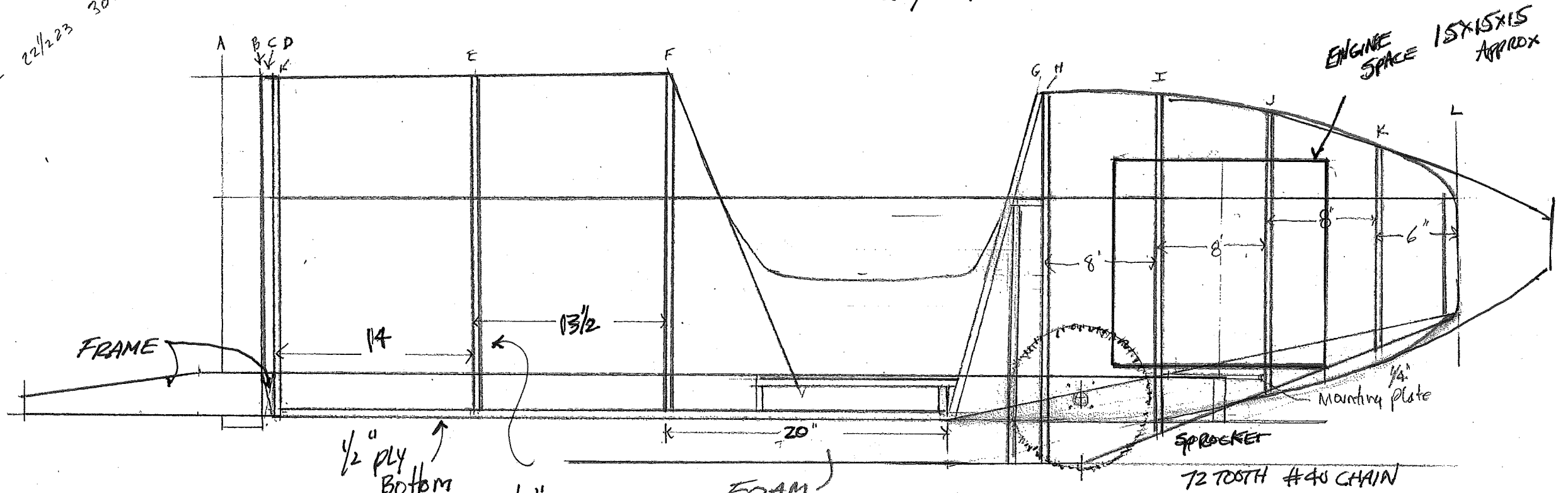


DT 2/12

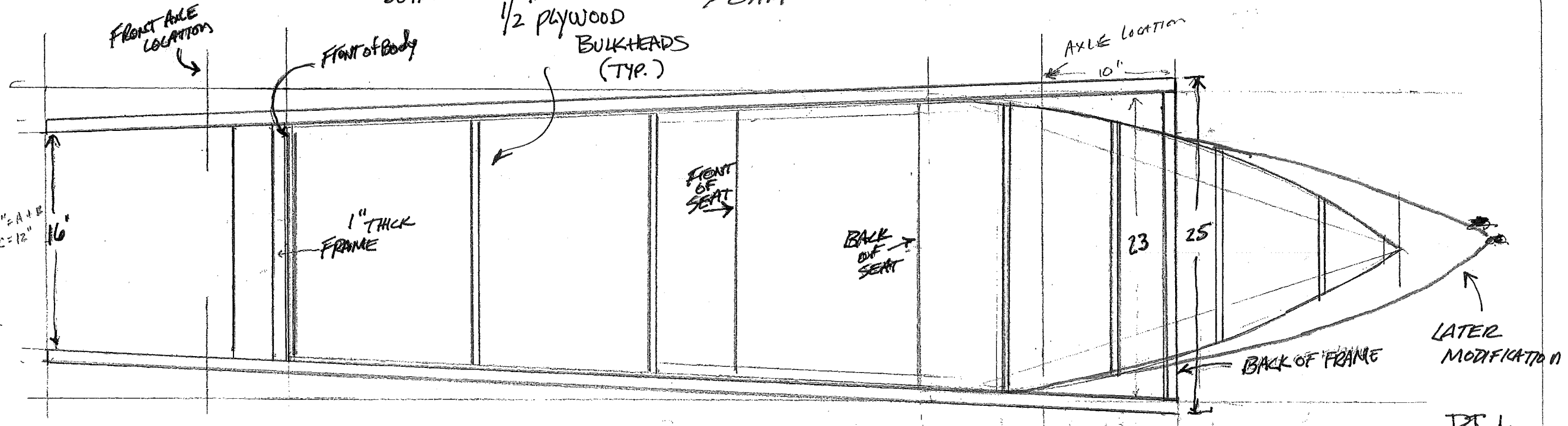
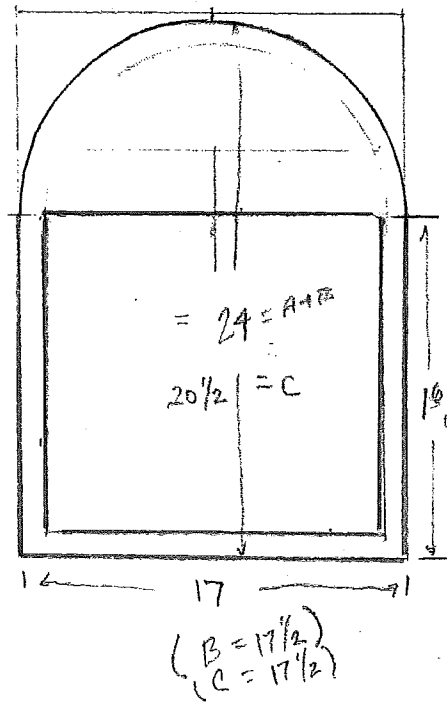
1926 FORD SPRINT CYCLEKART

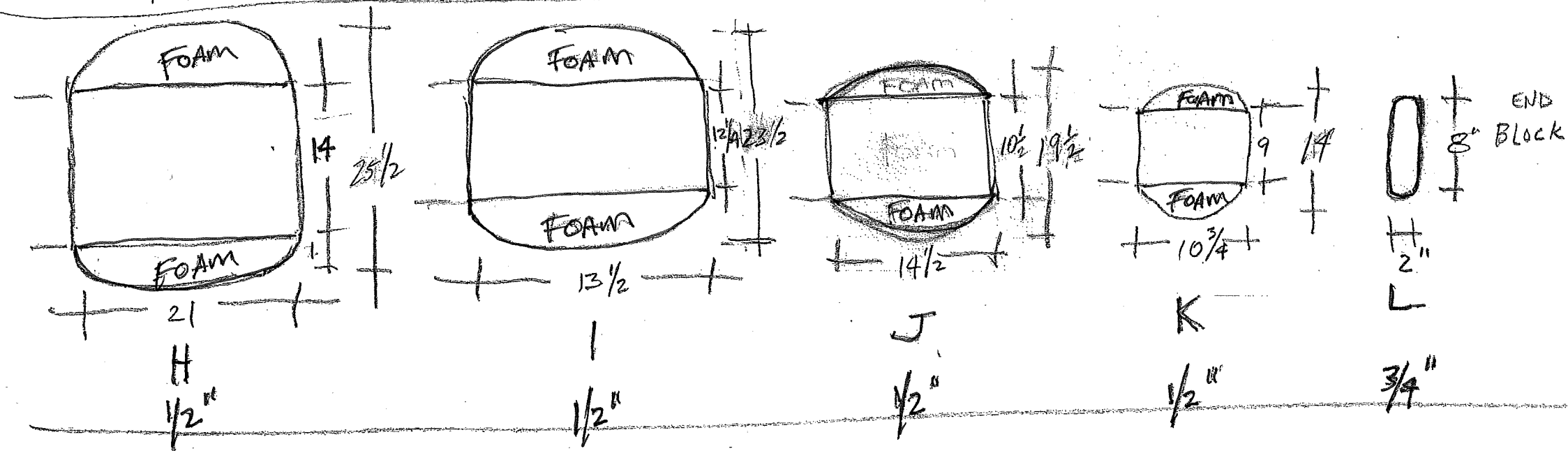
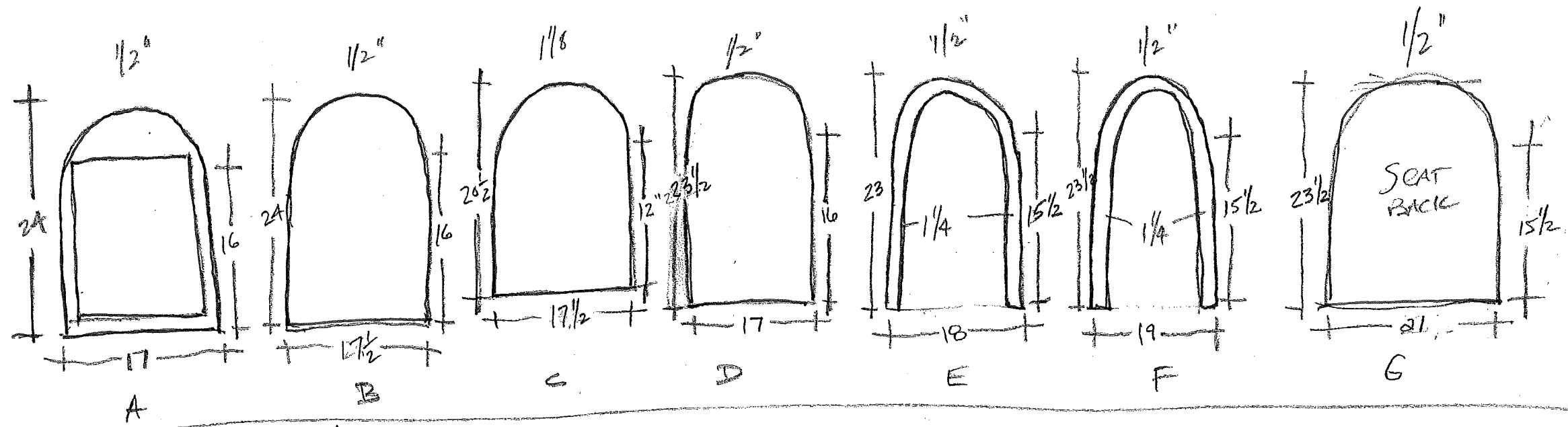
BODY CONSTRUCTION (PRELIMINARY) LAY-OUT

5 1/2 6 6 1/2 AXLE 9 1/2 14 14 1/2 22 1/2 23 30 1/2 31



RADIATOR

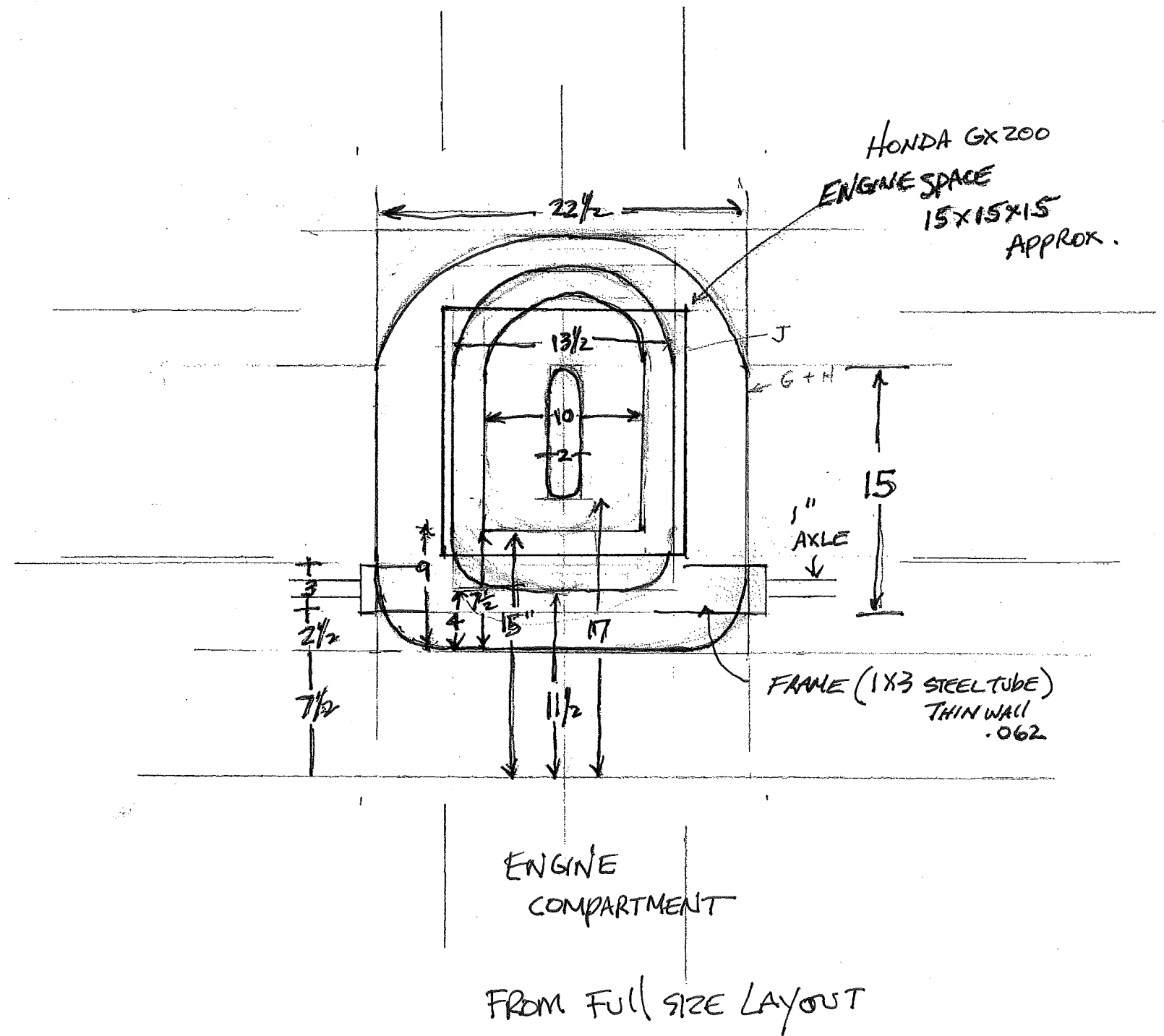




BULKHEAD MEASUREMENTS
 TAKEN FROM FULL SIZE LAYOUT

DF
 2/12

1926
FORD SPRINT CYCLEKART



DT
2/12